

STUDIO  
BAGNO



## Unit 100

### STYLE

**Bench/Wall**

### CODE

UTL03/0  
UTL03/1  
UTL03/2

### WEIGHT

22 kg

### COLOURS

White

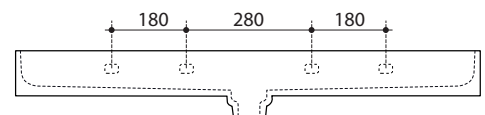
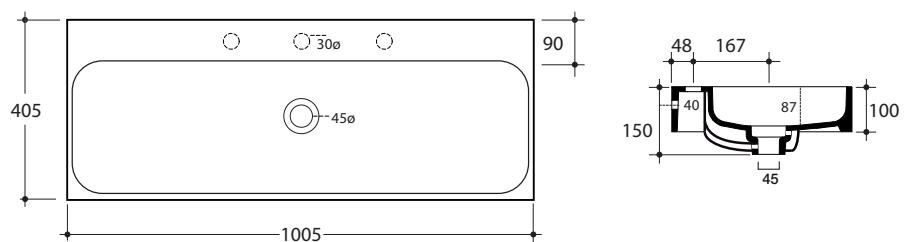
### OVERFLOW & WASTE

32mm ceramic overflow plug  
and waste not included.

Please order separately..

### INCLUSIONS

Wall fixing bolts included.



REAR VIEW



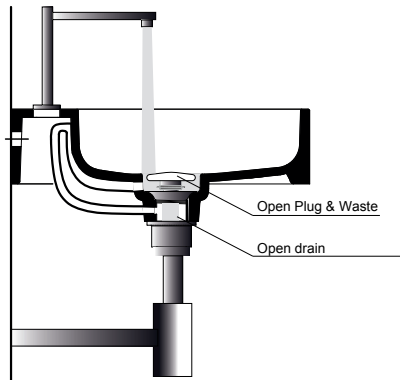
FRONT VIEW

Note: All dimensions are in millimetres and are subject to normal manufacturing variances. Studio Bagno Pty Ltd reserves the right to vary specifications at any time without notice. Date created: 24/06/15.



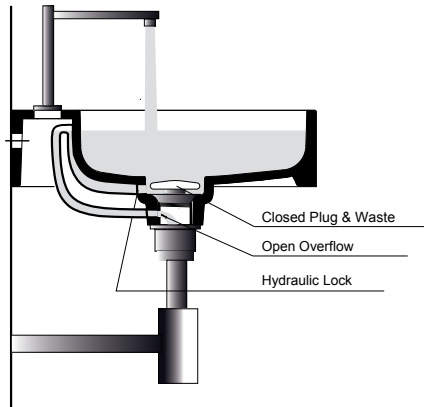
Unit 60  
Unit 80  
Unit 100  
Unit 120

OVERFLOW DESCRIPTION



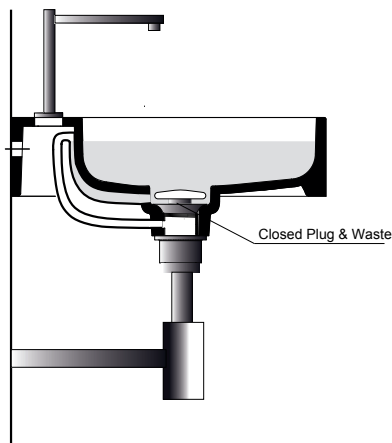
Open Drain with Open Tap

*Leaving the pop up plug & waste open, the water flow is directed down the drain, preventing the basin from filling.*



Closed Drain with Open Tap

*Closing the pop up plug & waste, the water flow is directed into the vacuum pipe by the hole in the drain collar positioned over the hydraulic lock. The water flows into the waste through the connected hydraulic lock in the drain that also prevents the water returning to the basin.*



Closed Drain with Closed Tap

*Closing the pop up plug & waste and the taps waterflow, the water flow stabilised and the basin remains full.*